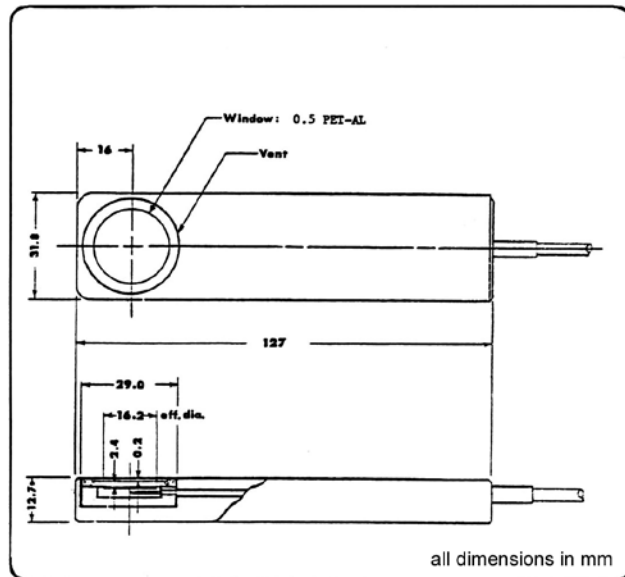


Model PS-033 Plane-Parallel Ion Chamber

The Model PS-033 thin-window plane-parallel ion chamber has been developed for therapeutic and diagnostic applications such as skin dose measurements, soft x-ray measurements (mammography) and electron beam studies.

The chamber is designed to be used in the Model PP33P/033 polystyrene phantom block. The chamber will fit firmly into the slot of the phantom. The chamber may also be used in air for low energy x-ray measurements.



Features:

- ▶ Air equivalent plastic collector
- ▶ Vented to the atmosphere
- ▶ Excellent energy response from 3 keV to 400 keV

Specifications

Volume:	0.5 cc, nominal, vented
Sensitivity:	0.16 nC/cGy, nominal
Leakage current:	$<1 \times 10^{-14}$ A
Body Material:	polystyrene
Entrance window:	aluminized polyethylene terephthalate (mylar) 0.0036 mm, 0.5 mg/cm ²
Ion collector:	16.2 mm diameter, C552 air-equivalent plastic
Electrode separation:	2.4 mm
Ion transit time:	0.10 seconds
Beam direction:	perpendicular to the chamber window
Bias voltage:	± 300 V maximum
External dimensions:	127 mm x 31.8 mm x 12.7 mm
Cable:	low-noise triaxial, 1 meter long, triaxial male BNC connector (TNC optional)